



Board size

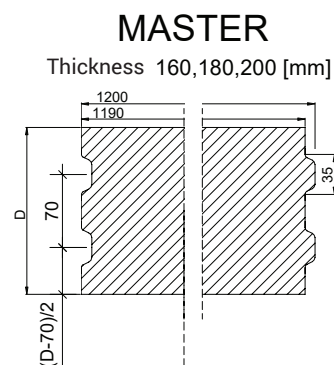
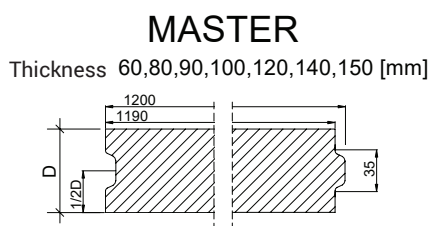
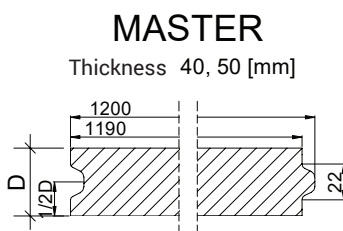
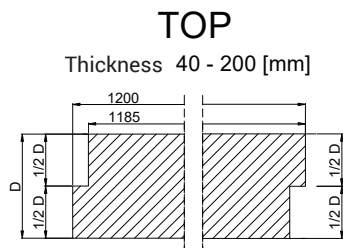
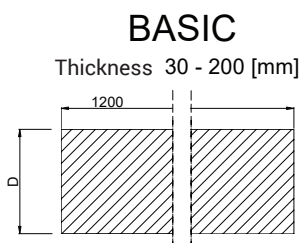
Standard size	1200 mm x 2400 mm
Usable length	2390 mm
usable width	MASTER 1190 mm TOP 1185 mm
Maximum production length	5000 mm
Weight	34 kg/m ³

Board thickness

* Orders can be placed for any type of joint: MASTER, TOP or BASIC

**Only the BASIC type joint is available for 30mm thickness

BASIC joint system	30 mm			
MASTER joint system – tongue and groove joint	40 mm	90 mm	140 mm	180 mm
	50 mm	100 mm	145 mm	200 mm
	60 mm	120 mm	150 mm	
	80 mm	125 mm	160 mm	



Specifications for packaging of panels

Thickness	Boards / pallet	Boards / truck	Pallet height	Pallet height + EPS strips	Pallets / truck	m ² / pallet	m ² / truck
30	40	880	1200	1280	22	115.20	2,534.40
40	30	660	1200	1280	22	86.40	1,900.80
50	24	528	1200	1280	22	69.12	1,520.64
60	20	440	1200	1280	22	57.60	1,267.20
80	15	330	1200	1280	22	43.20	950.40
90	12	264	1200	1280	22	34.56	760.32
100	12	264	1200	1280	22	34.56	760.32
113	10	220	1200	1280	22	28.80	633.60
120	10	220	1200	1280	22	28.80	633.60
125	9	198	1200	1280	22	25.92	570.24
140	8	176	1200	1280	22	23.04	506.88
145	8	176	1200	1280	22	23.04	506.88
150	8	176	1200	1280	22	23.04	506.88
160	6	132	1200	1280	22	17.28	380.16
180	6	132	1200	1280	22	17.28	380.16
200	6	132	1200	1280	22	17.28	380.16



Technical characteristics

Characteristics	Values
Standard	EN 13165:2012+A2:2016
Long-term water absorption	Wh = 2%
Flatness after partial immersion	FW2
Sound absorption index	E
Initial heat conductivity	$\lambda_i=0.022$ W/mK
Thickness	T3
Water vapor permeability	$\mu=37.52$
Compressive strength	CS(10/Y)100 \geq 150 kPa
Tensile strength	TR100 \geq 100 kPa
Heat conductivity after accelerated ageing for 175 days at 70°C	$\lambda=0,024$ W/mK
Dimensional stability under specific temperature and humidity conditions	Level 2 DS(70,90)

